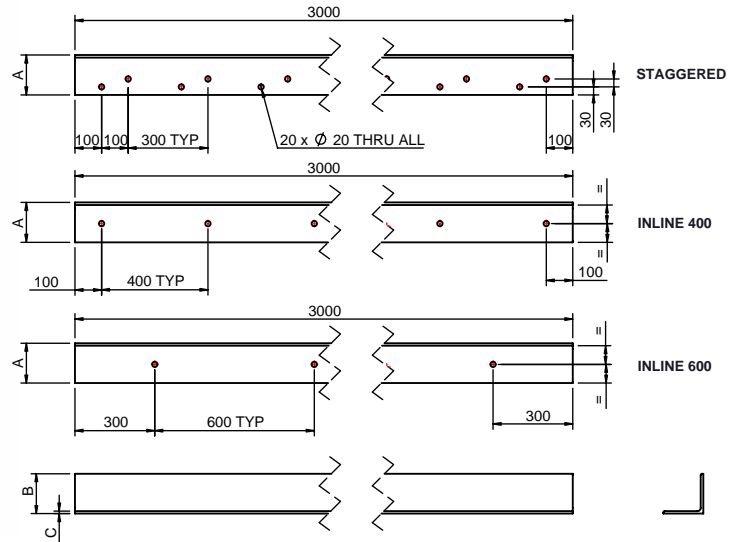


Shelf Angle



DESCRIPTION

We offer shelf angles that are 3 meters long and can be purchased in bulk. These shelf angles come with predrilled 20mm holes at 300mm intervals, but we also offer customization options for hole spacing and drill patterns.

FEATURES

- Clay brick
- Universal applications
- Complies to Australian Standard AS 3700 – Masonry Structures
- Achieves R3 Durability Rating in accordance with Australian/New Zealand Standard AS/NZS 2699.3: (Built in components for masonry construction)
- Hot dip galvanised components in accordance with Australian/New Zealand Standard AS/NZS 4680

CORROSION CHARACTERISTICS

R3 - Hot Dipped Galvanised
Conforms to corrosion resistance set by AS/NZS 2699.2:2020 / AS 3700.

ORDERING INFORMATION

When ordering please supply use with the part number and quantity you require

SA1-125x125x10-I-400

PRODUCT CODE	SIZE () AxBxC	INLINE / STAGGERED Specify
	125mm x 125mm x 10mm	I-400 - Inline 400
	150mm x 100mm x 10mm	I-600 - Inline 600
	150mm x 150mm x 10mm	S - Staggered